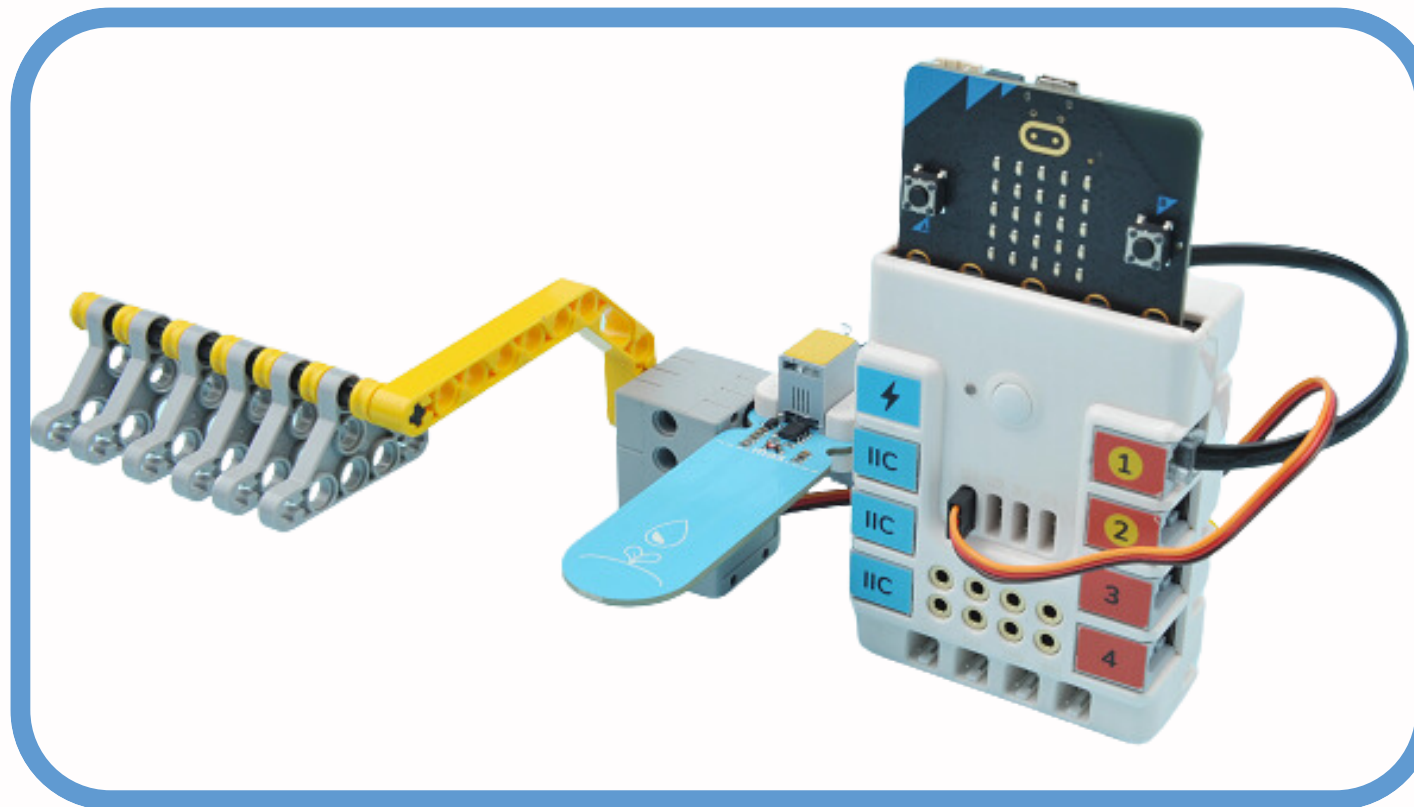
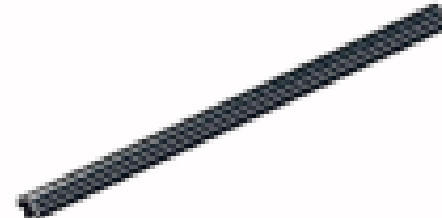


TENDAL INTELIGENTE

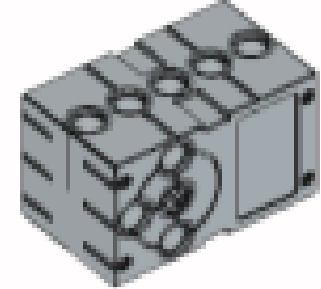


Montaje

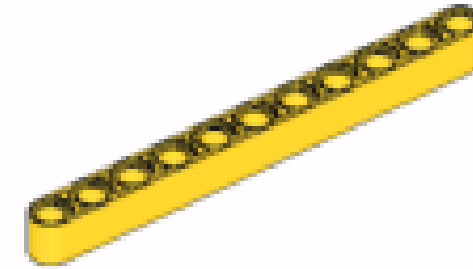
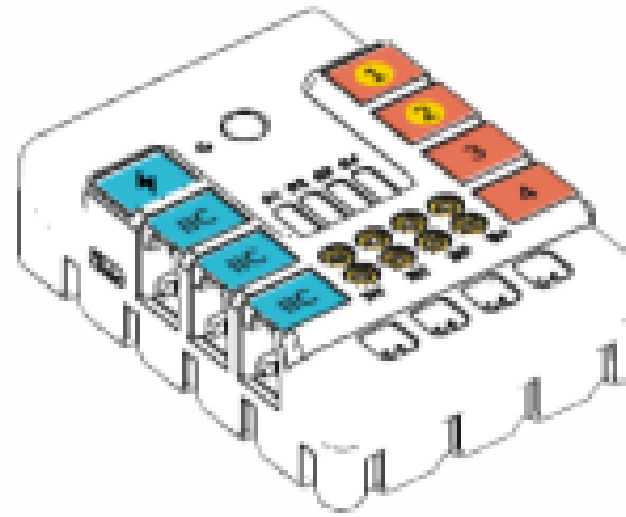
4x
2780, 11



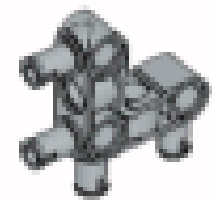
1x
3737, 11



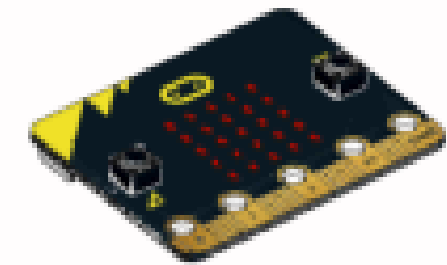
1x



1x
32525, 3



1x
55615, 86

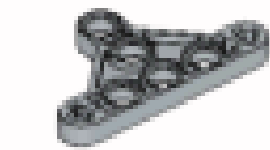


1x

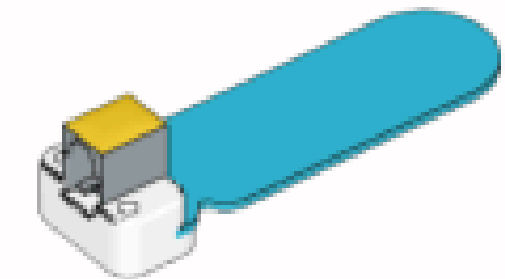
1x



1x
32062, 5



6x
99773, 86



1x

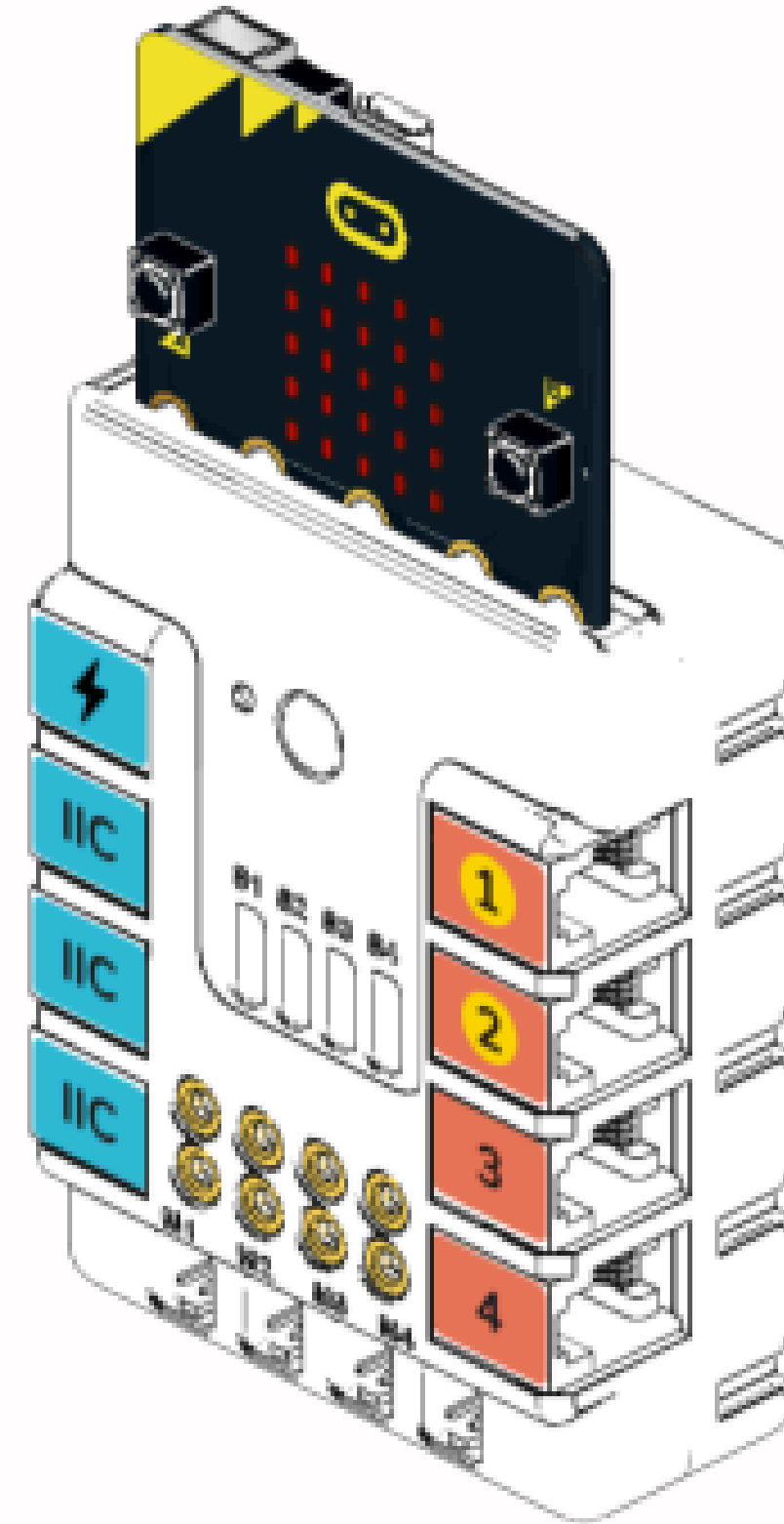
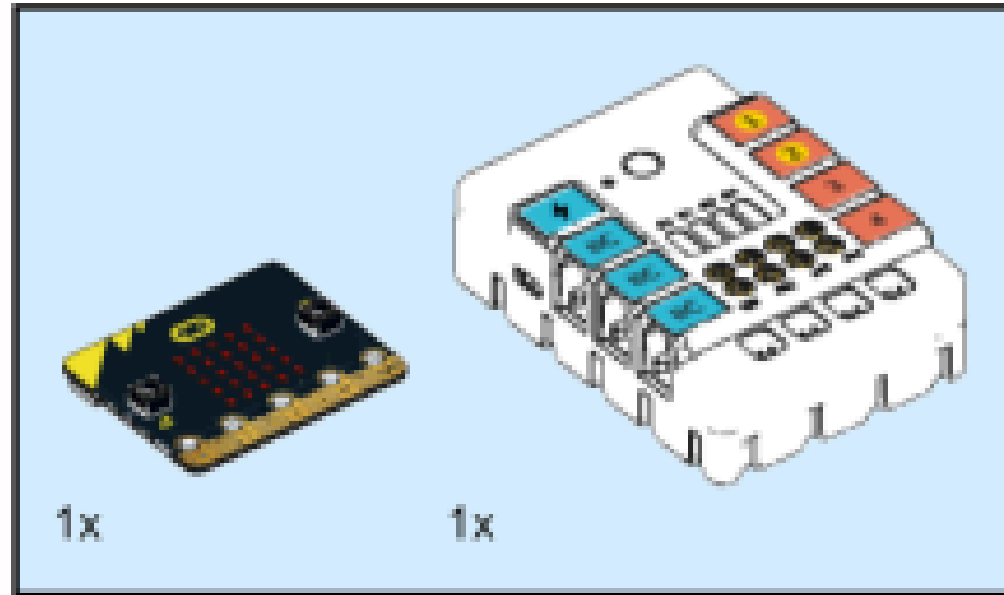


7x
4265c, 3

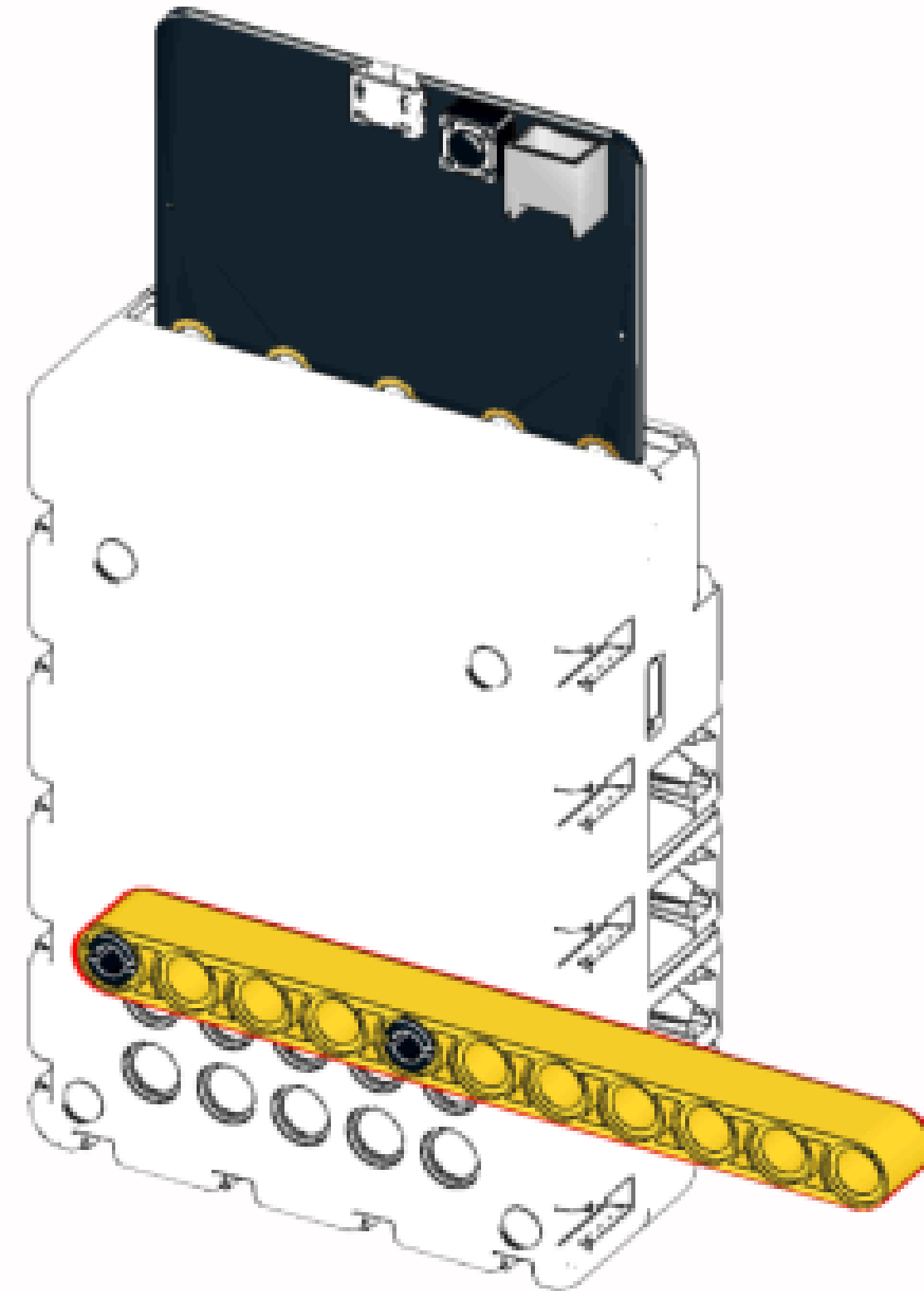
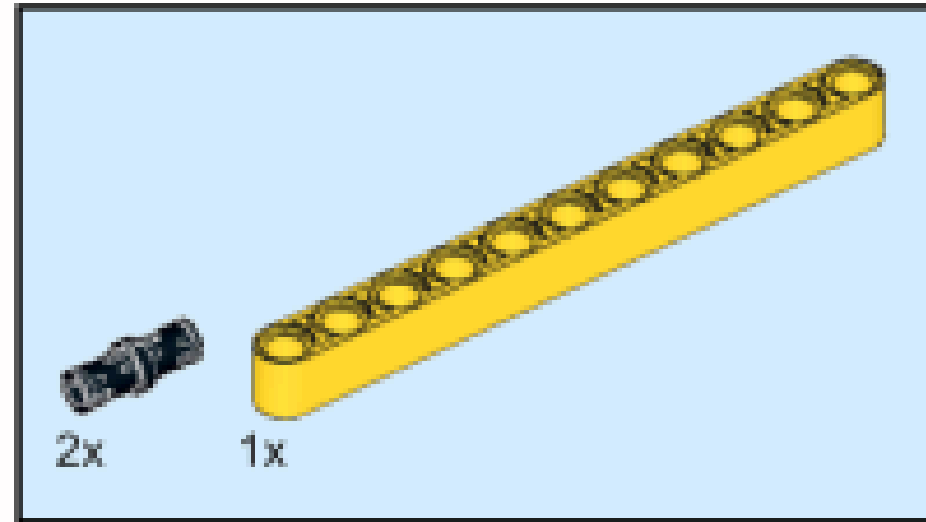


1x
32009, 3

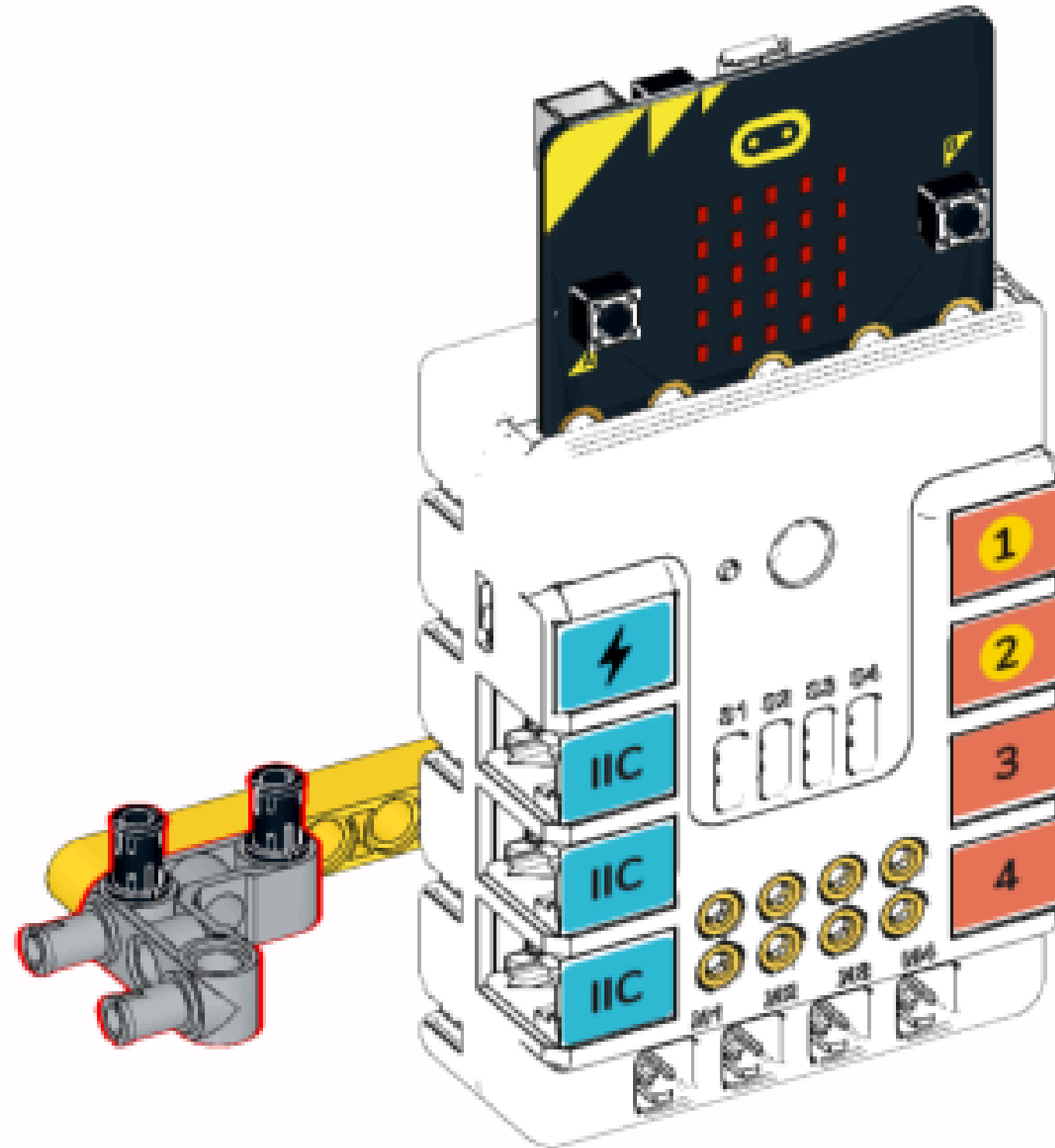
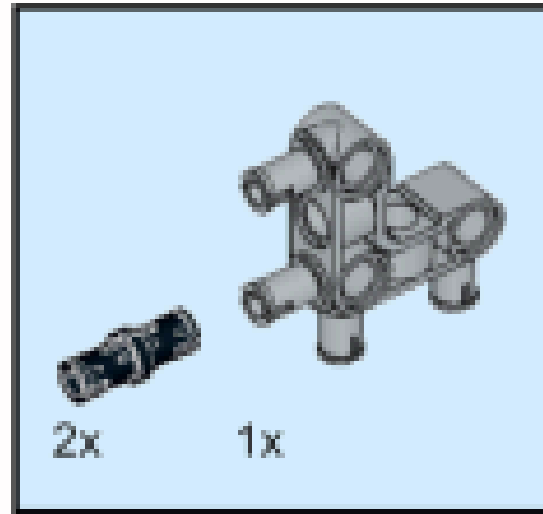
1



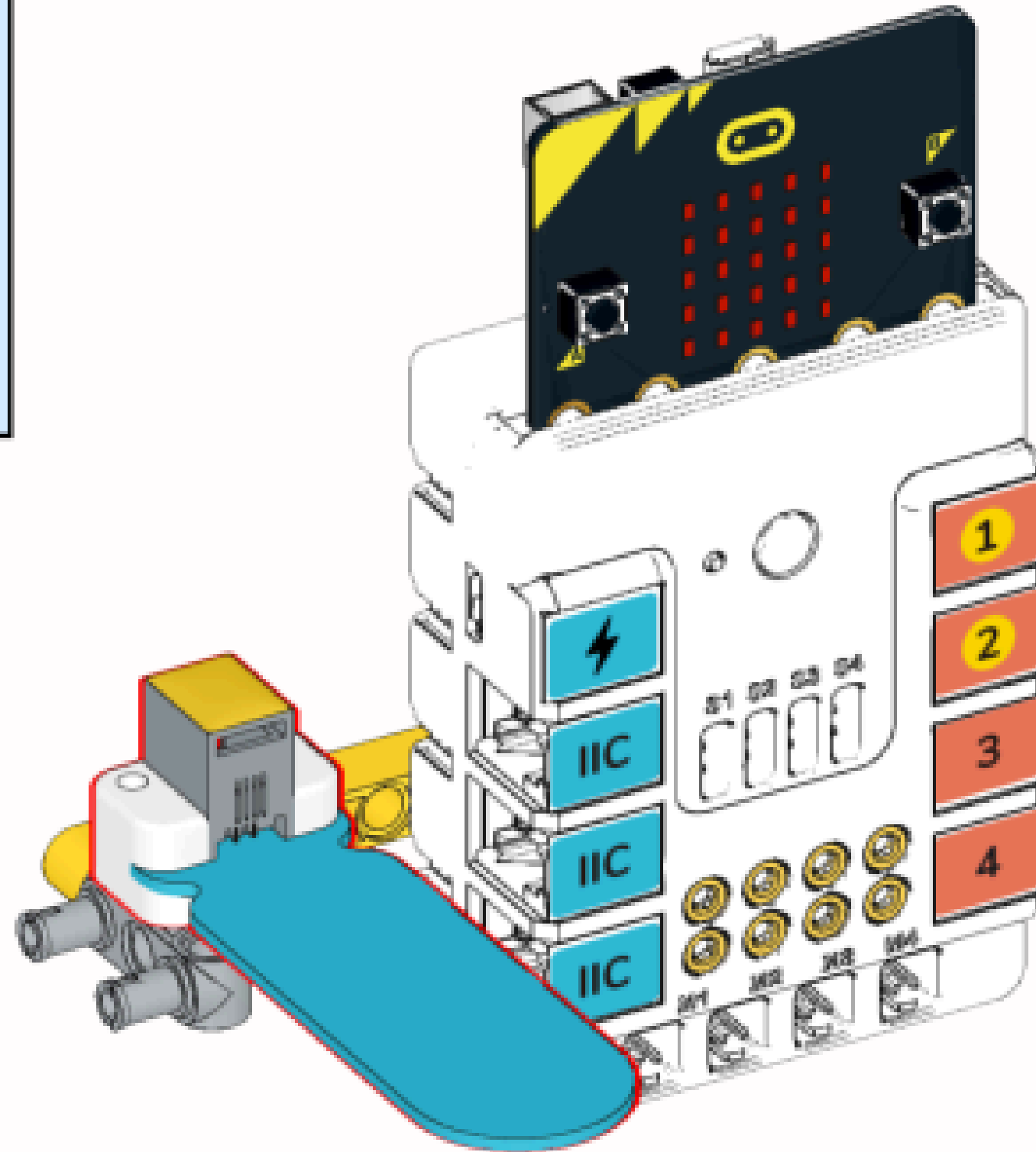
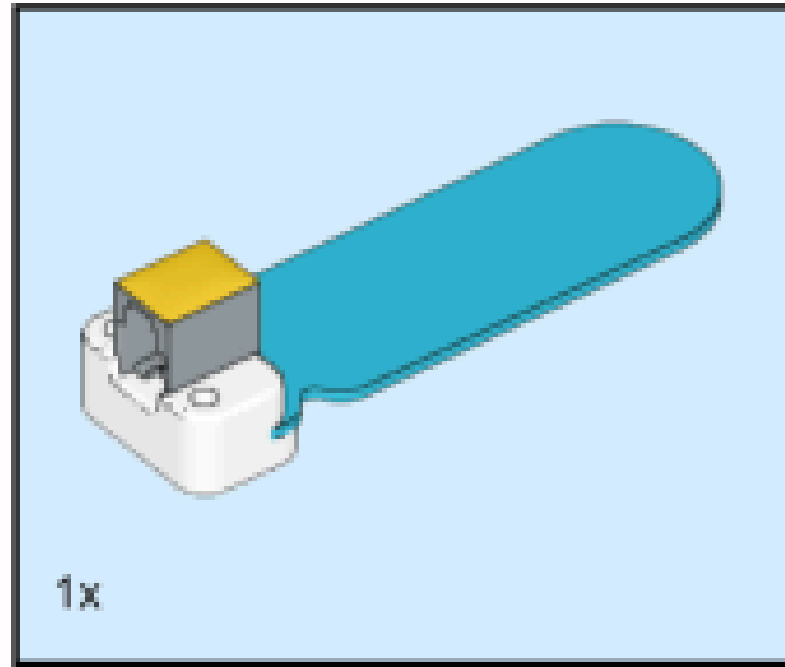
2



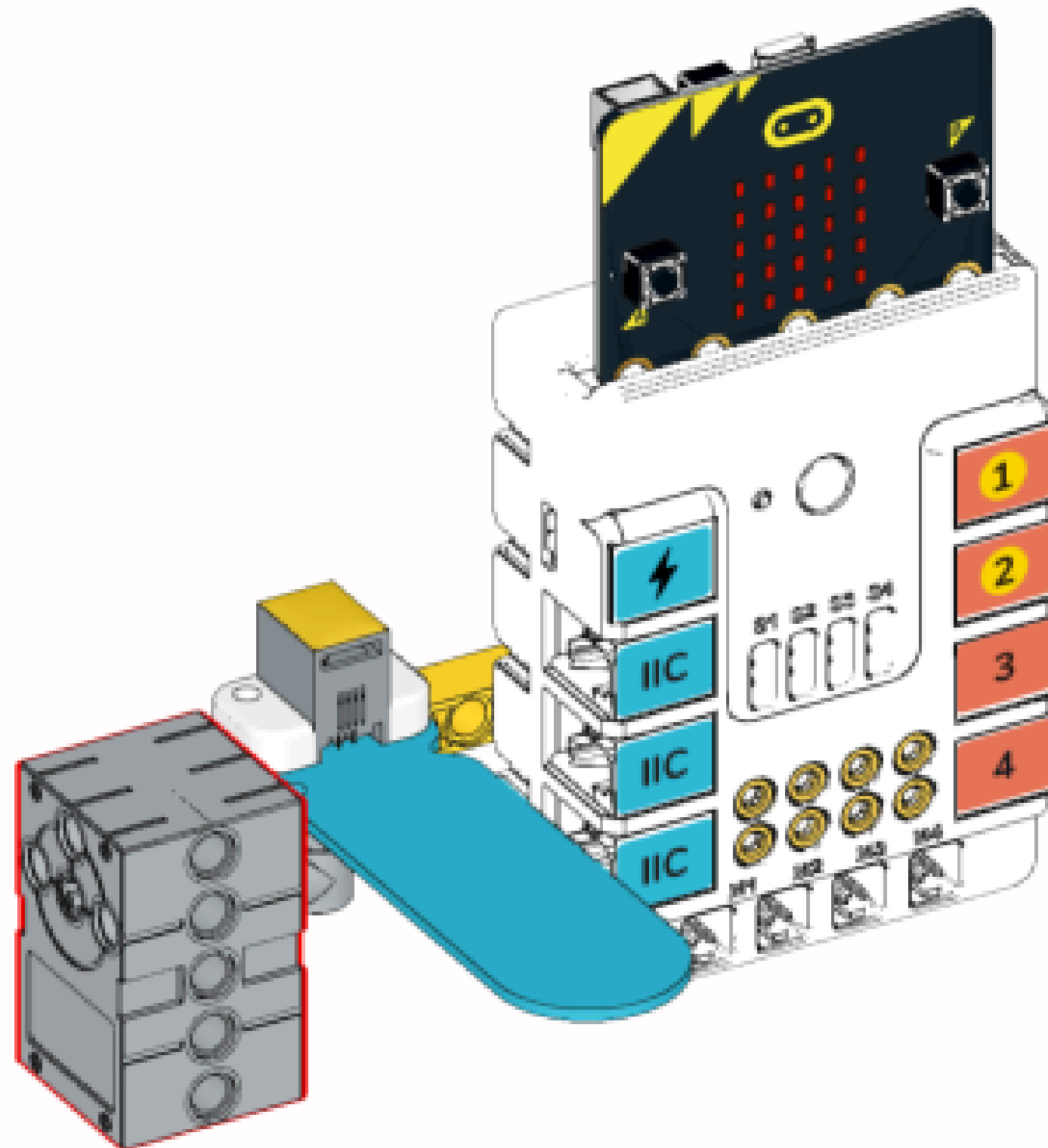
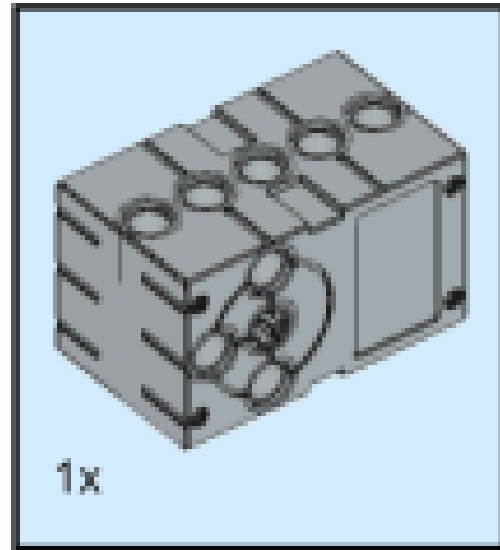
3



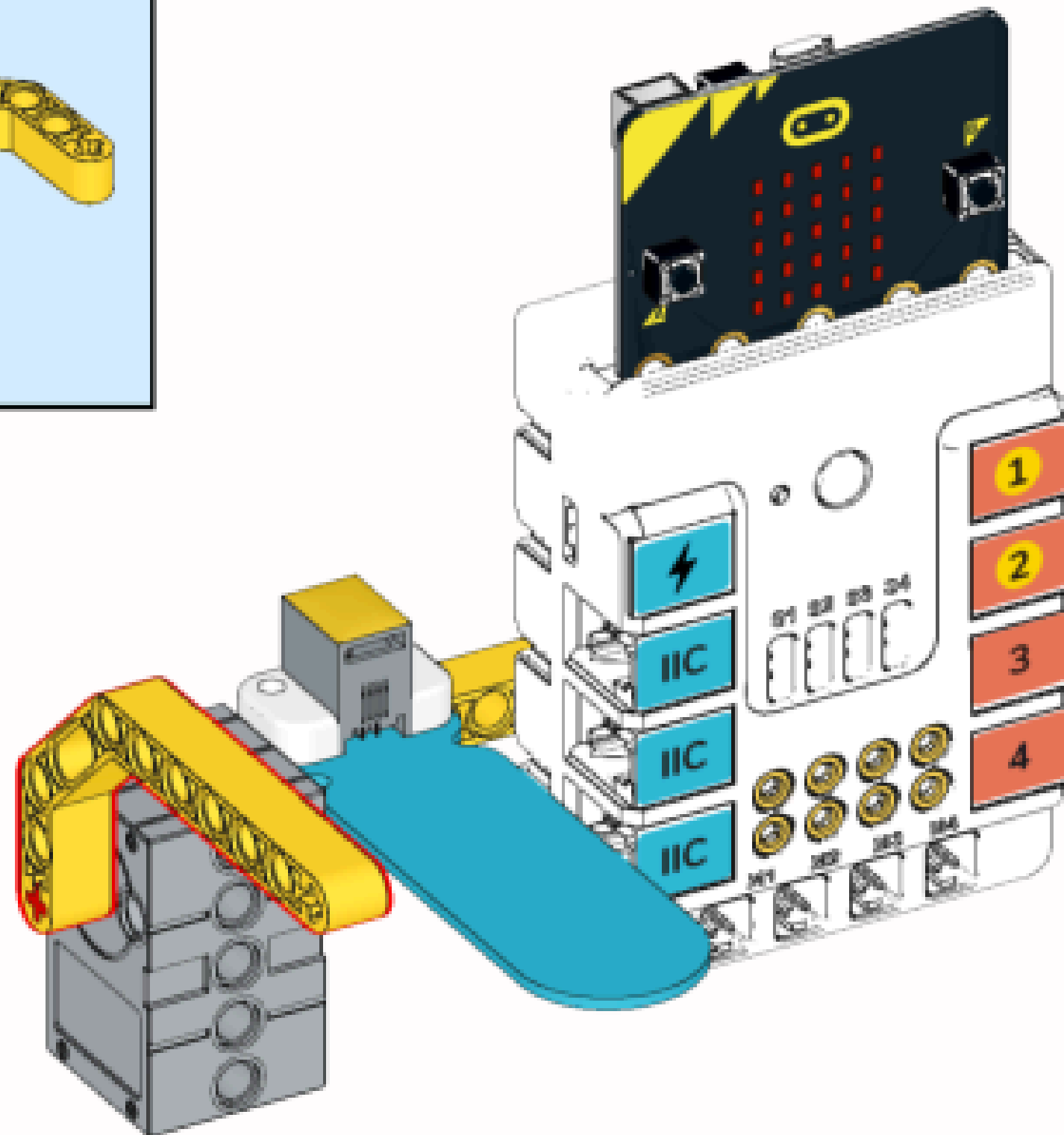
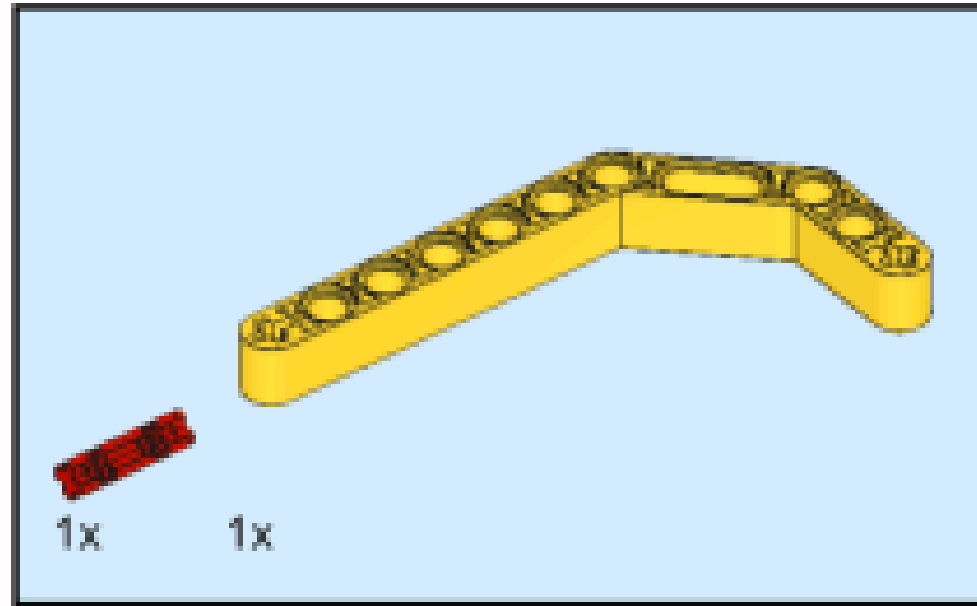
4



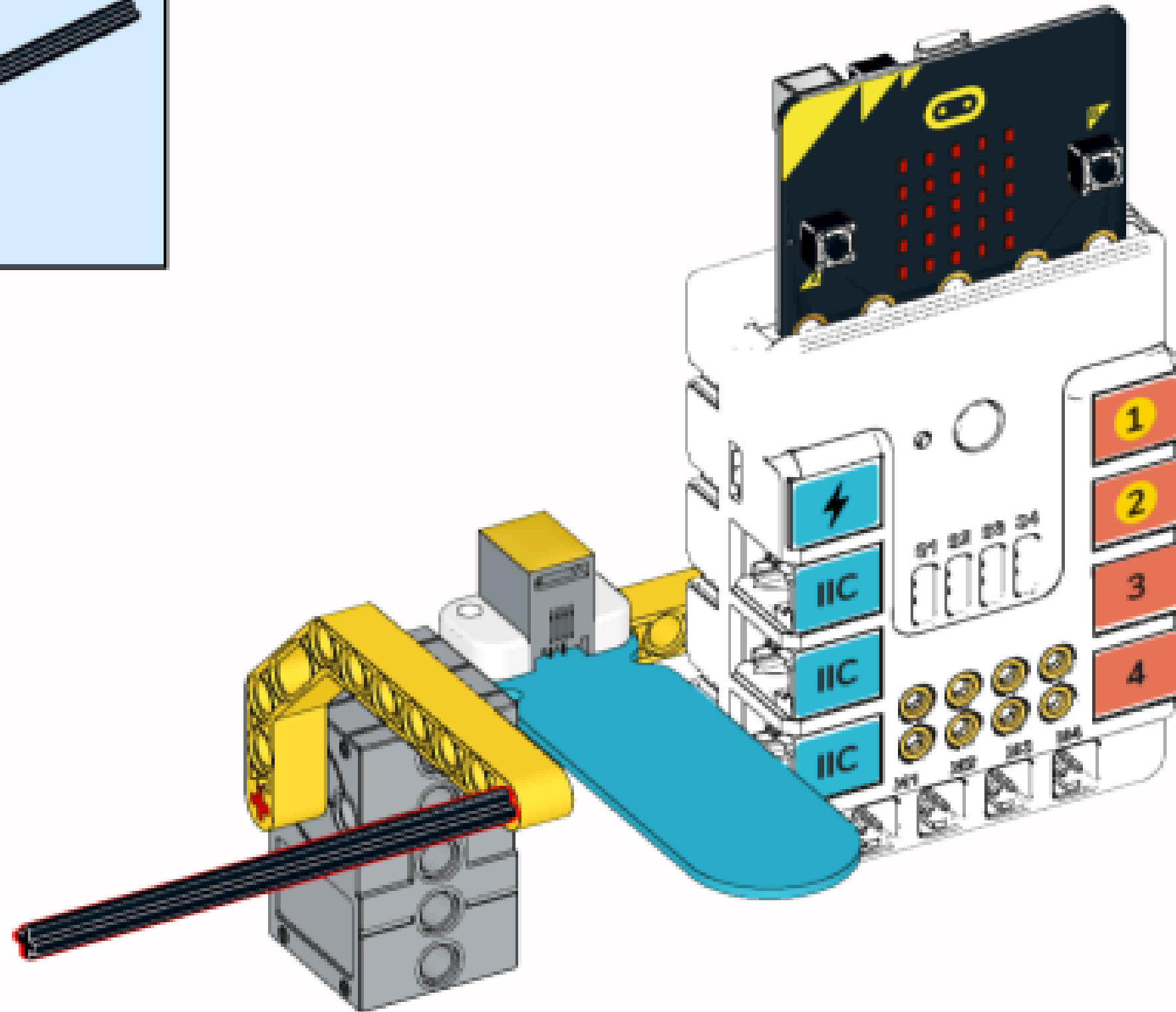
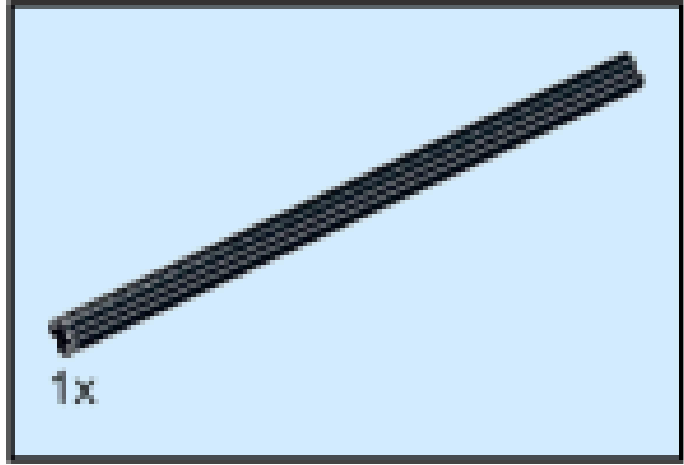
5



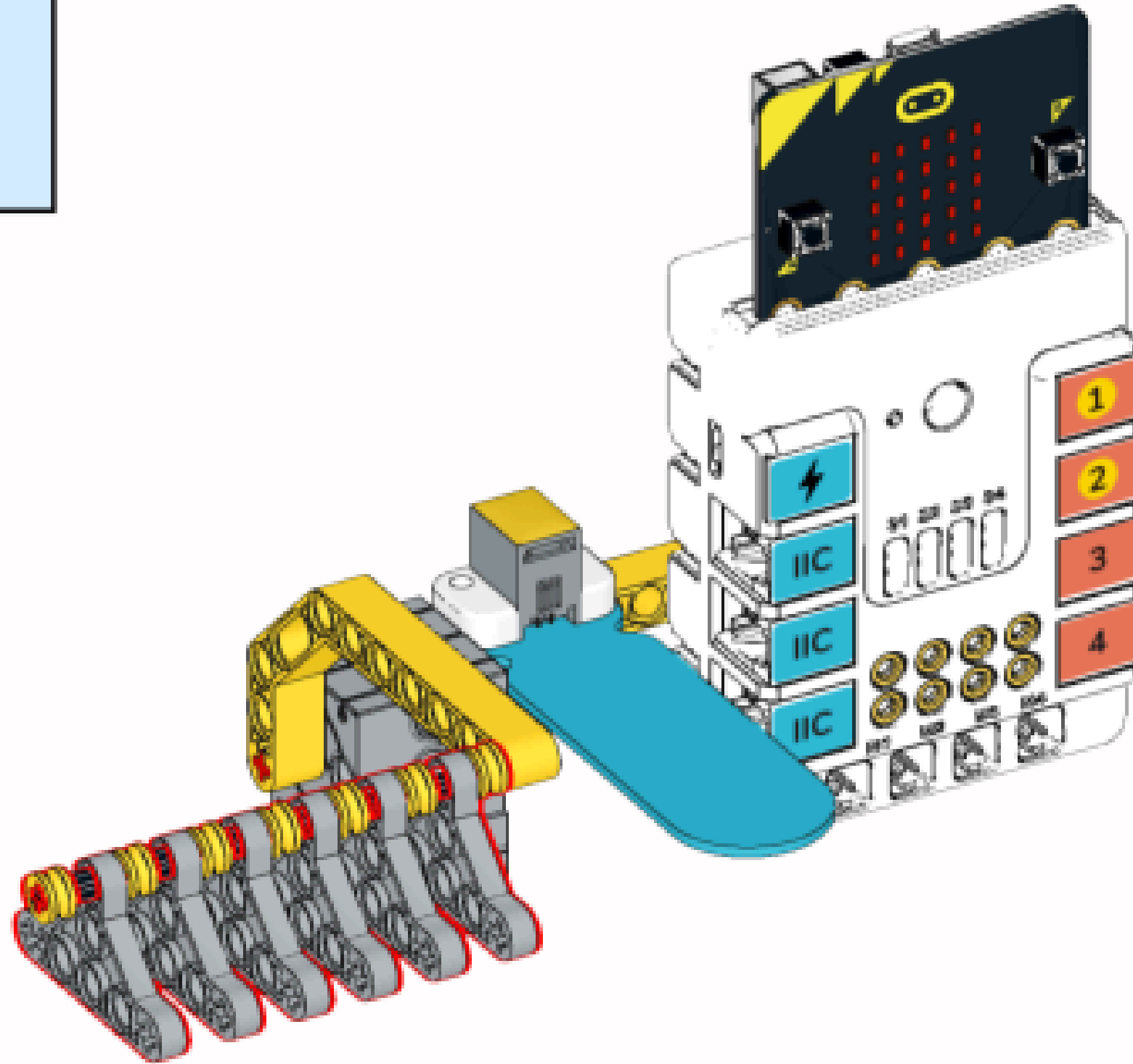
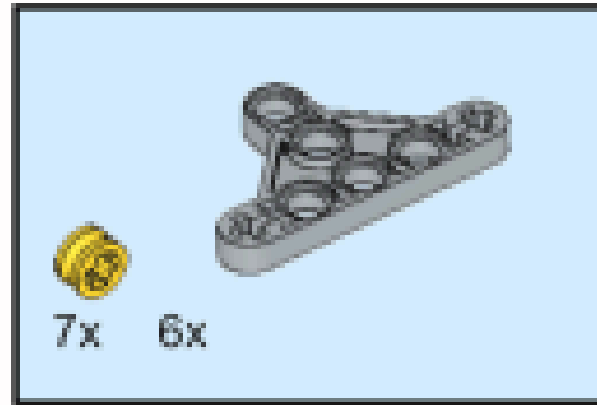
6



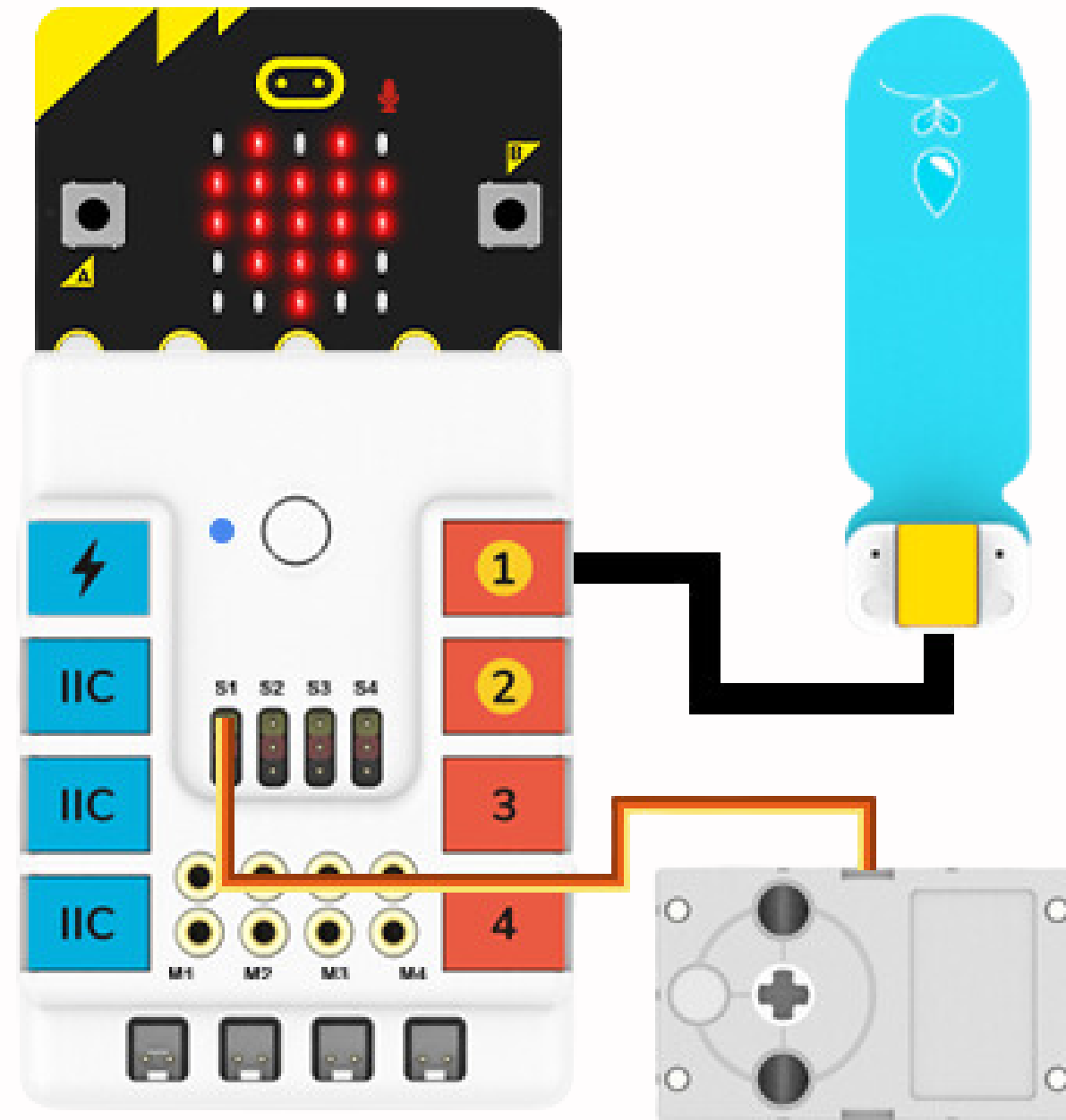
7



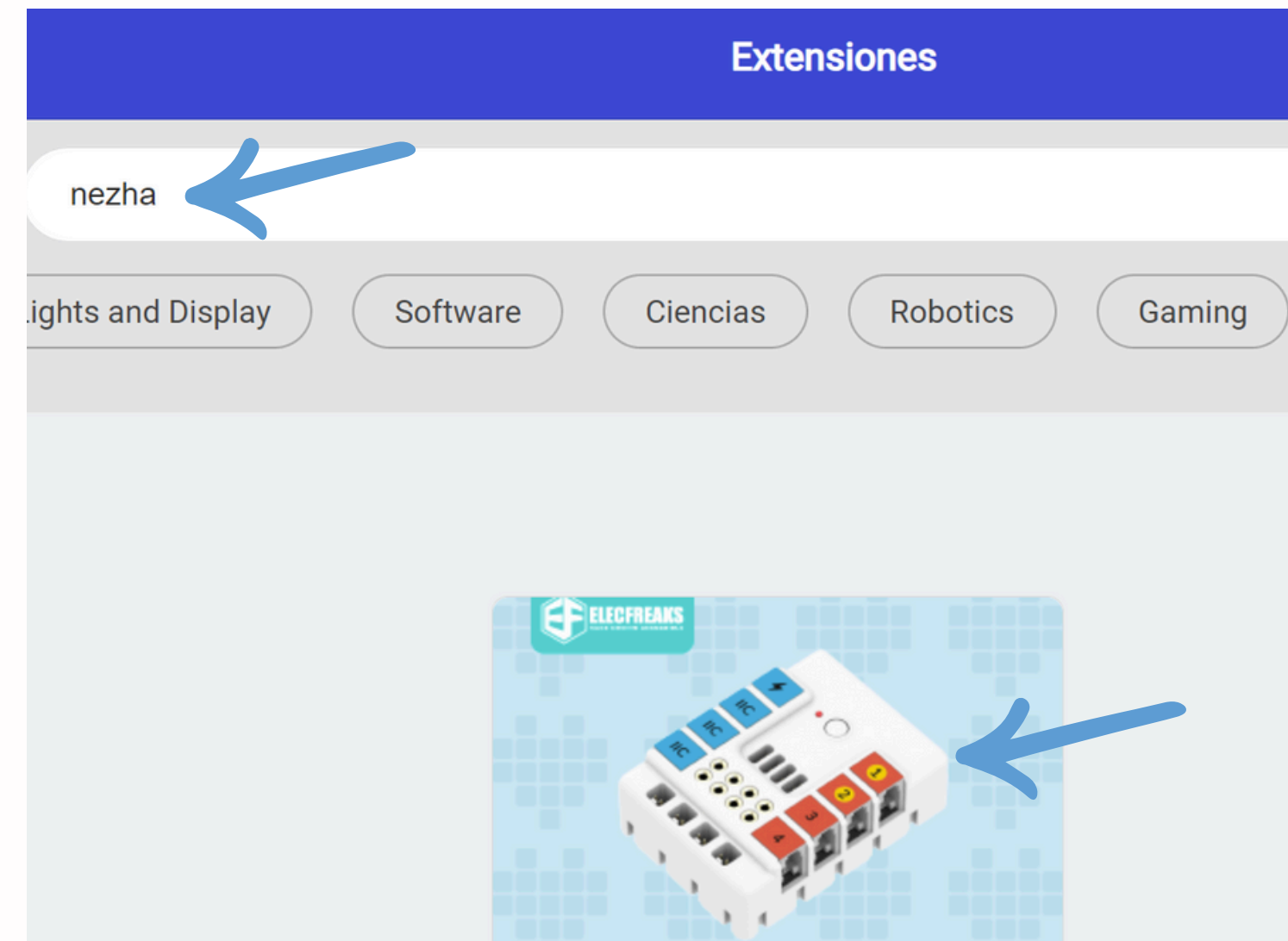
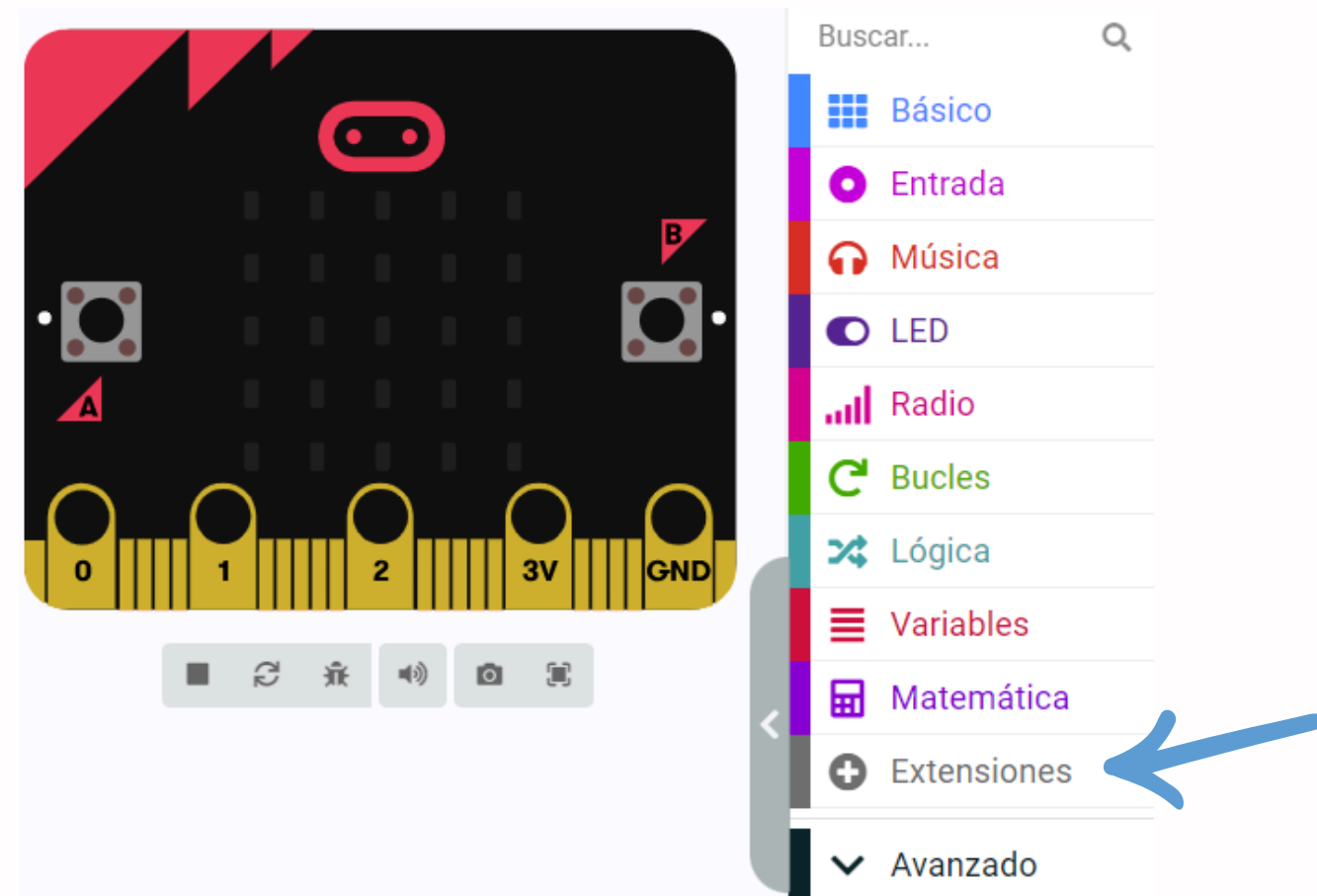
8



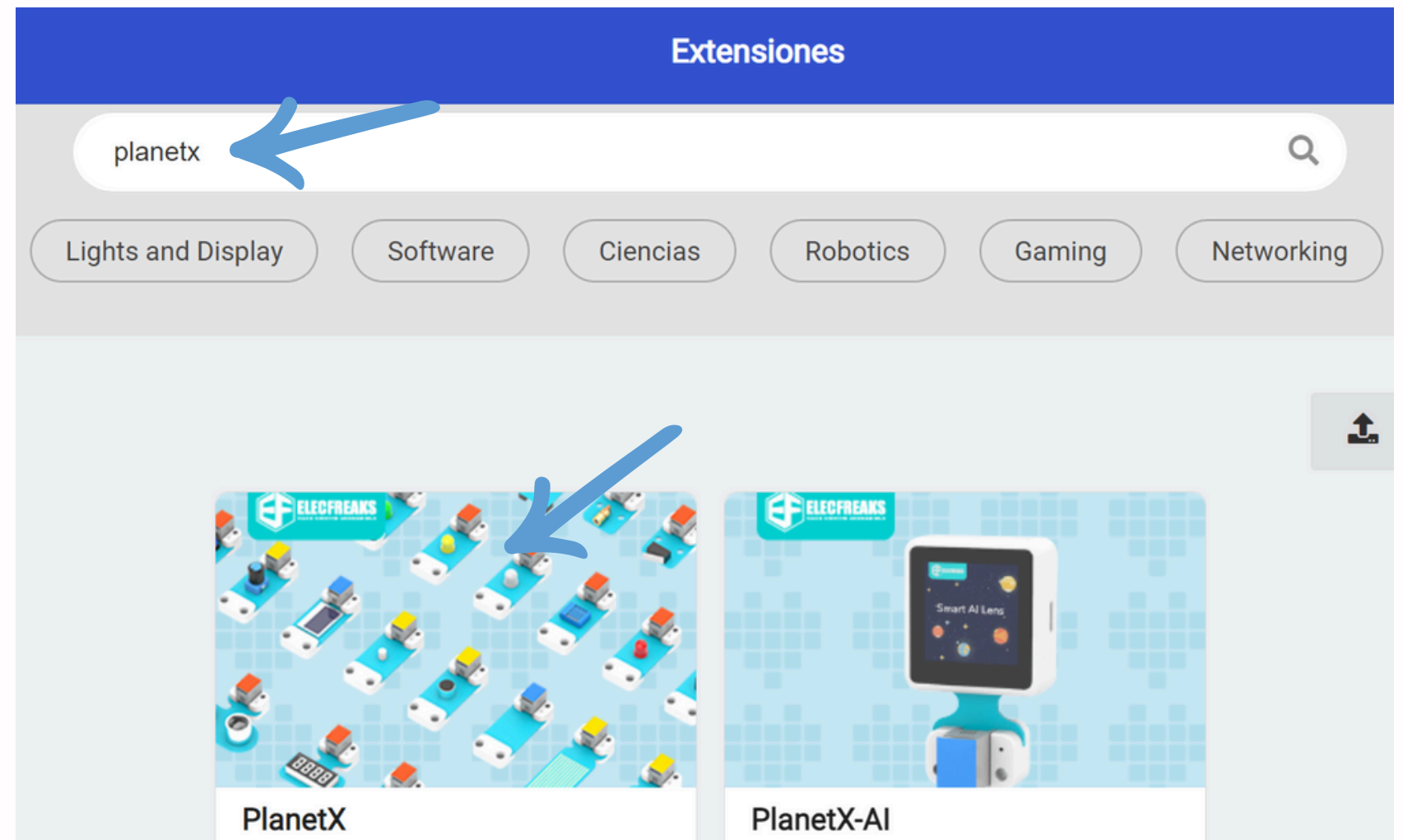
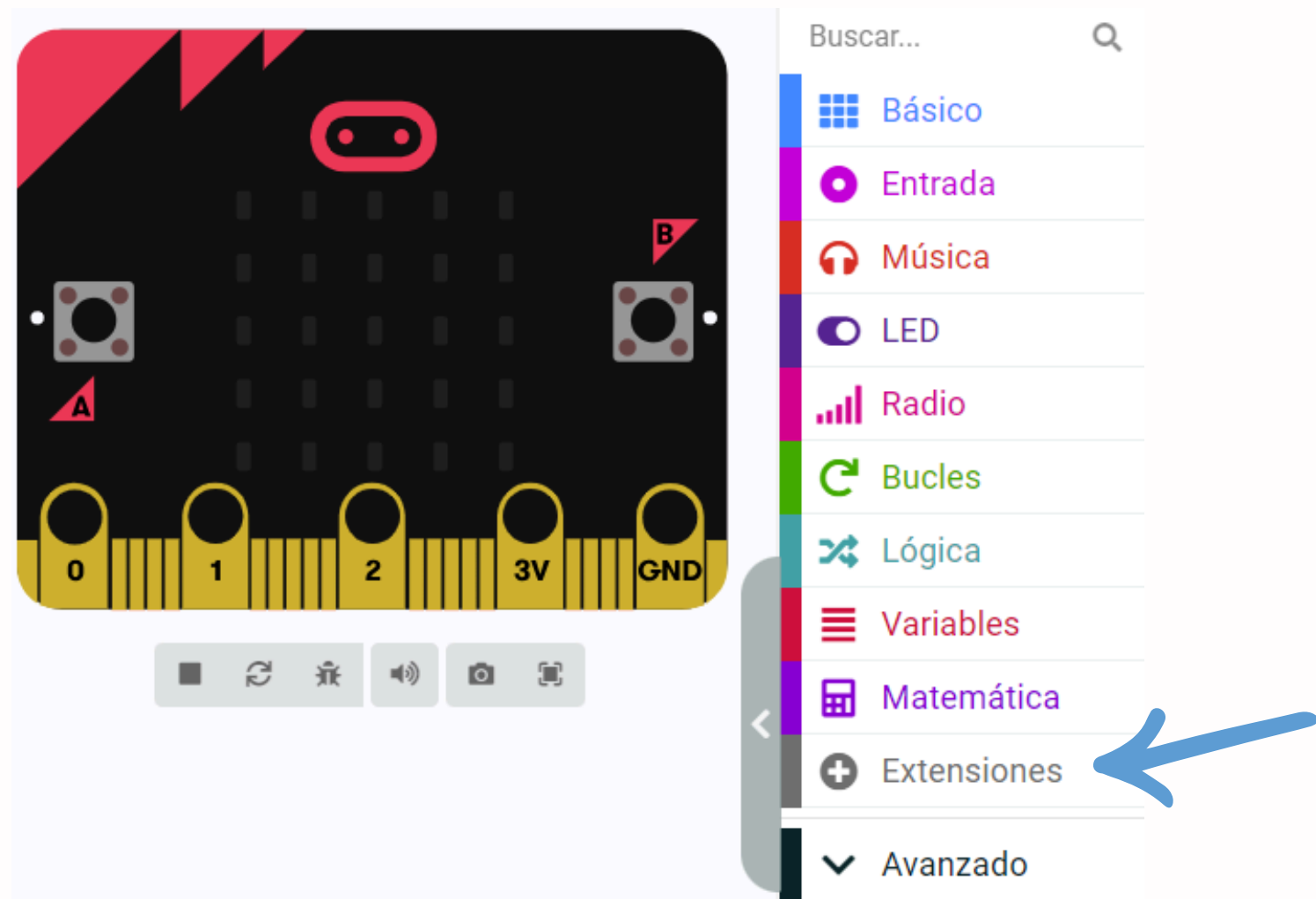
Conexión



Programación



Programación



Programación

The image shows a Scratch code block for a 'para siempre' (forever) loop. The loop contains an 'if' block that checks the value of a 'Soil moisture sensor' (J1) against a threshold of 20. If the value is greater than 20, the servo motor (S1) is set to 90 degrees. If not, the servo motor is set to 0 degrees.

```
para siempre
  si <Soil moisture sensor J1 value(0~100) > 20 entonces
    Set 360° servo S1 angel to 90°
  si no
    Set 360° servo S1 angel to 0°
```